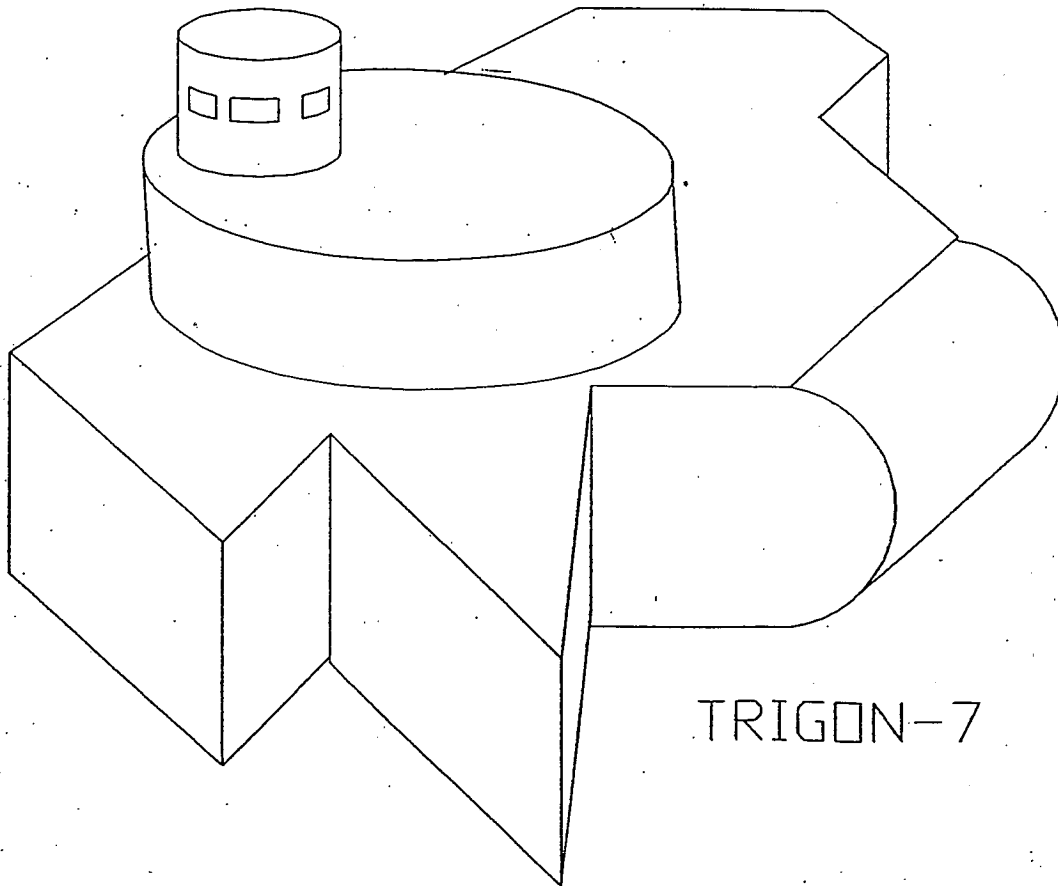


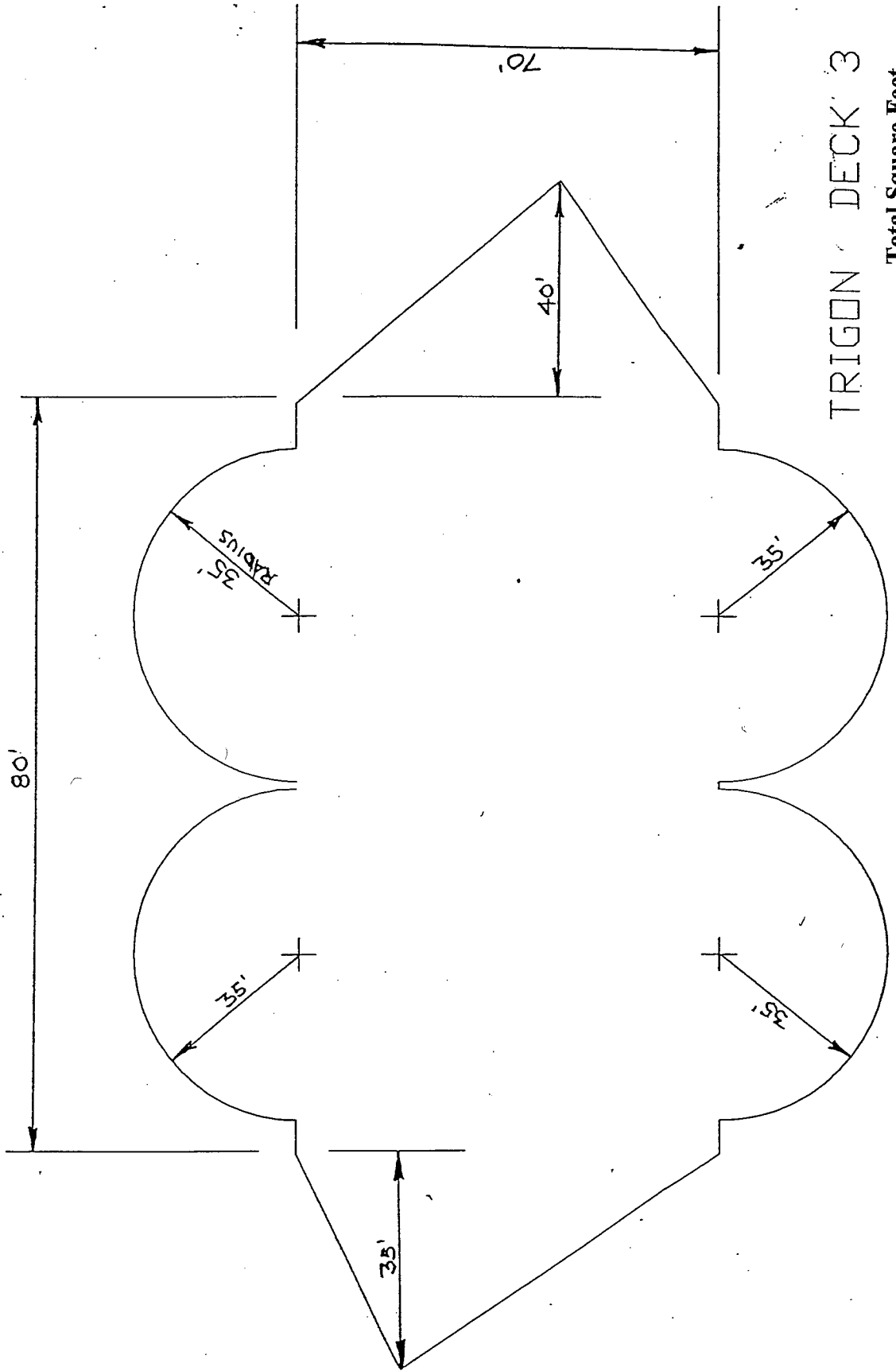
TRIGON-7

You have been attacked by the deadly spaceship, TRIGON 7. In order to destroy the spaceship you must know the exact square feet of floor space on each of its 3 decks and the total square feet of floor space on the ship. If your answer is not correct your neutrino guns will not be able to vaporize TRIGON 7 and your High School and the surrounding area will be turned into a pool of cosmic snot.

A total of 25 credits is possible for this problem. 5 for Deck 1, 8 for Deck 2, 8 for Deck 3, and 4 more credits if you have the correct total for all 3 Decks on the bottom of this page.

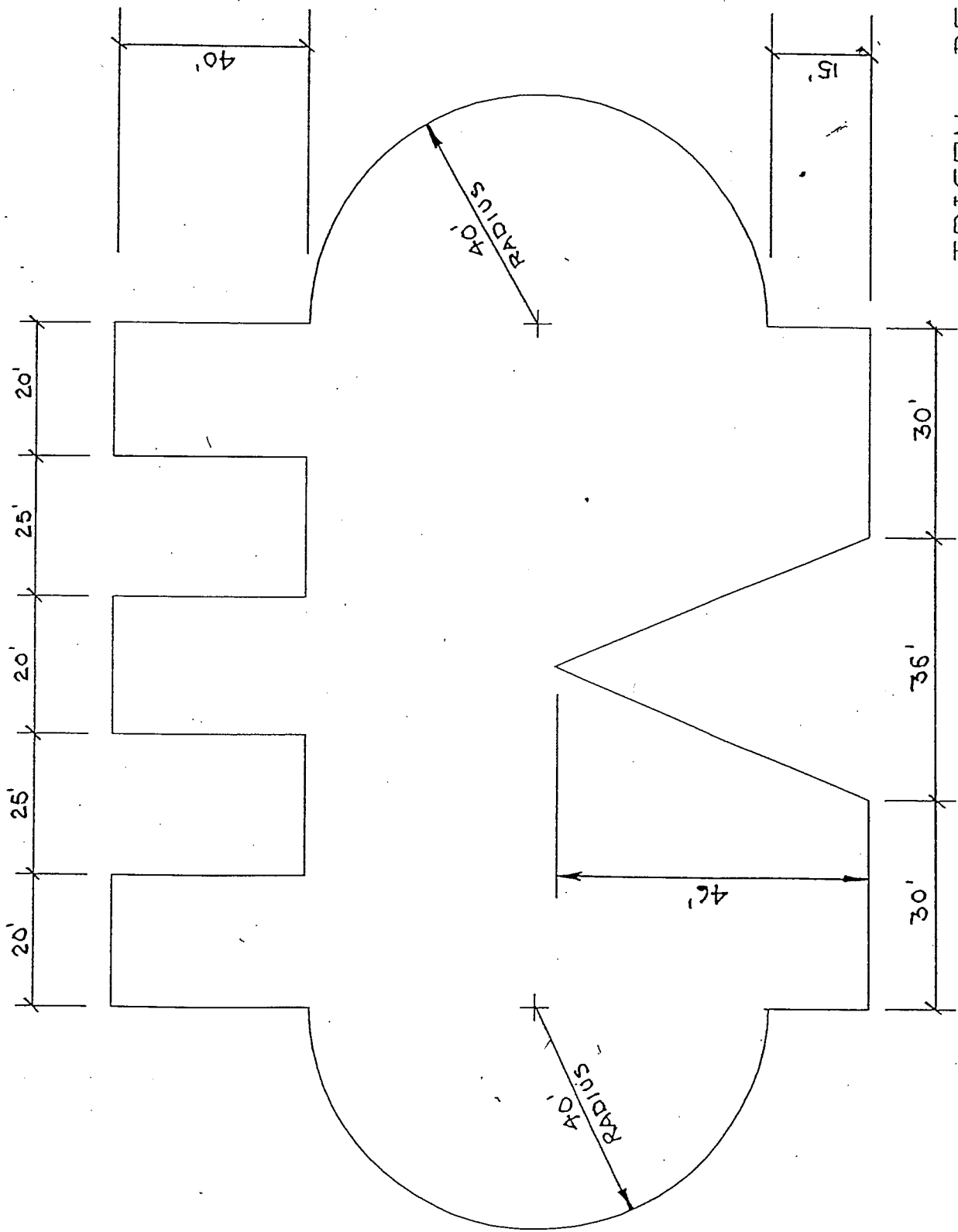


Total Square Feet – Counting all 3 decks: _____



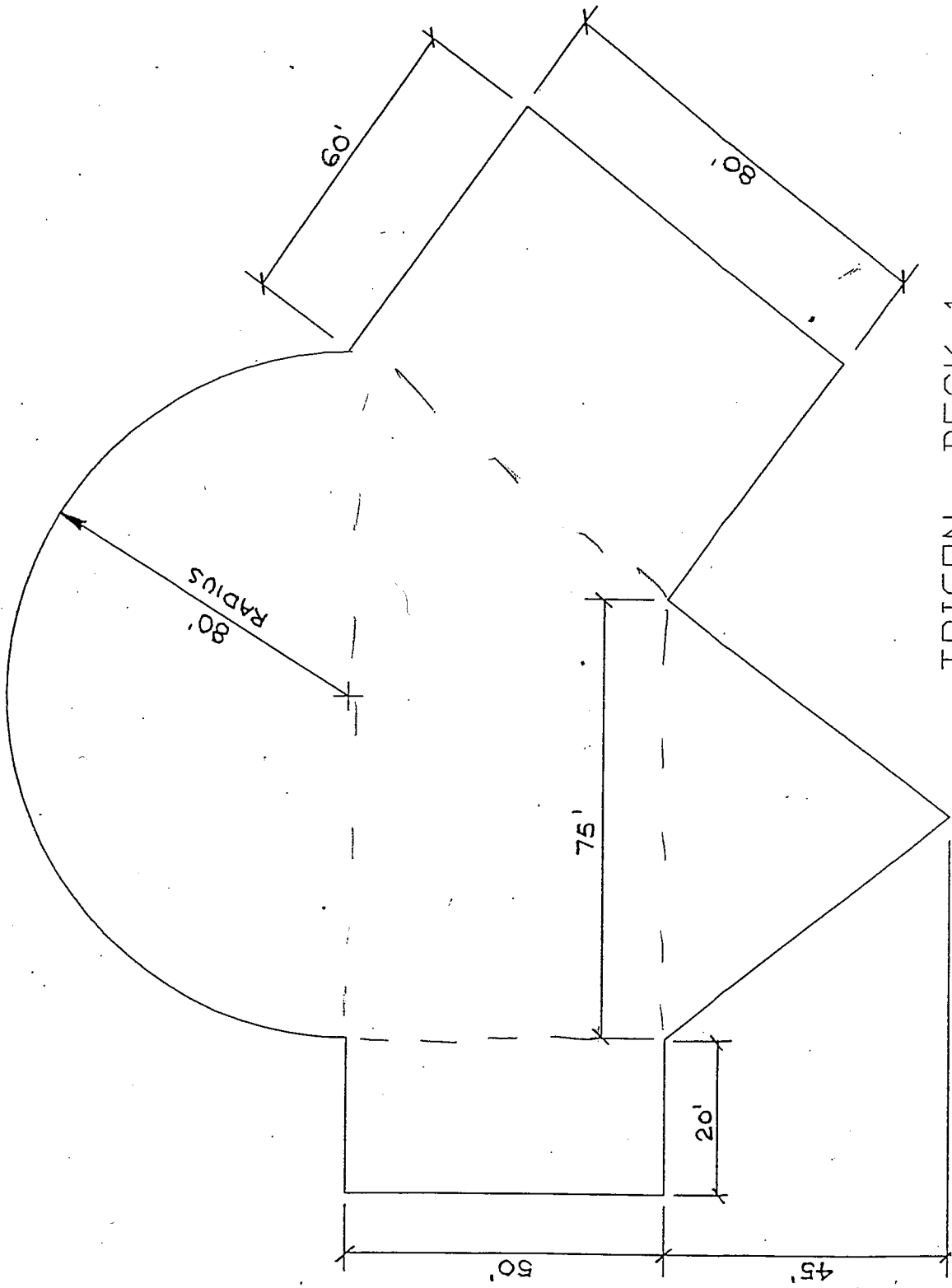
TRIGON DECK 3

Total Square Feet



TRIGON DECK, 2

Total Square Feet



TRIGON DECK 1

Total Square Feet